



**MITSUBISHI ELECTRIC AUTOMATION (THAILAND) CO., LTD.**

Bang-Chan Industrial Estate No. 111 Moo 4, Serithai Rd., T.Kannayao, A.Kannayao, BKK 10230 Thailand  
 Tel: (66) 2517-1326, (66) 2919-9873 Fax: (66) 2517-1328 URL: www.meath-co.com E-mail: support@meath.co.th

**บริษัท มิตซูบิชิ อิเล็กทริก ออโตเมชัน (ประเทศไทย) จำกัด**

นิติบุคคลสาขาระบบงาน เลขที่ 111 หมู่ 4 ถนนเสรีไทย แขวงคันนายาว เขตคันนายาว กทม. 10230  
 โทรศัพท์: (66) 2517-1326, (66) 2919-9873 โทรสาร: (66) 2517-1328 URL: www.meath-co.com E-mail: support@meath.co.th

**MOTOR SPECIFICATION SHEET**

MODEL : SF-JV 40HP 4P (HT)  
 USED FOR : STANDARD

| DESCRIPTION                      | DETAIL  |      |      |      |  |
|----------------------------------|---|------|------|------|--|
| PHASE                            | 3   |      |      |      |  |
| MODEL NAME                       | SF-JV   |      |      |      |  |
| RATED OUTPUT, HP (kW)            | 40 (30)   |      |      |      |  |
| POLE                             | 4   |      |      |      |  |
| CODE                             | MEATH CODE : 1M002V-403000JVND1                     |      |      |      |  |
| OUTLINE DRAWING NO.              | OMM34O137-D   |      |      |      |  |
| RATED VOLTAGE (V)                | 380   | 415  | 380  | 440  |  |
| RATED FREQUENCY (Hz)             | 50  | 50   | 60   | 60   |  |
| RATED CURRENT (A)                | 58  | 56   | 56   | 49   |  |
| RATED SPEED (min <sup>-1</sup> ) | 1460  | 1470 | 1750 | 1760 |  |
| THERMAL CLASS                    | 155(F)  |      |      |      |  |
| RATING                           | S1 (CONTINUOUS)                                     |      |      |      |  |
| ENCLOSURE CONSTRUCTION           | TOTALLY ENCLOSED FAN COOLED                         |      |      |      |  |
| DEGREES OF PROTECTION            | IP55  |      |      |      |  |
| METHOD OF COOLING                | IC411   |      |      |      |  |
| FRAME NO.                        | 180L  |      |      |      |  |
| WEIGHT (kg)                      | 235   |      |      |      |  |
| STANDARD                         | IEC 60034-1, JEC-2137-2000                          |      |      |      |  |
| INSTALLATION                     | FLANGE MOUNTED (VERTICAL)                           |      |      |      |  |
| ROTATION                         | CCW (VIEWED FROM SHAFT END)                         |      |      |      |  |
| BEARING                          | LOAD SIDE : 6312ZZ                                  |      |      |      |  |
|                                  | OPPOSITE SIDE : 6310ZZ                              |      |      |      |  |
| BEARING GREASE                   | UREA GREASE   |      |      |      |  |
| NOISE (db.A)                     | 84  |      |      |      |  |
| VIBRATION                        | V15   |      |      |      |  |
| CIRCUMSTANCE<br>CONDITION        | AMBIENT TEMPERATURE : -20 ~ +40°C                   |      |      |      |  |
|                                  | AMBIENT HUMIDITY : 95%RH OR LESS                    |      |      |      |  |
|                                  | ABOVE SEA LEVEL : 1000m OR LESS                     |      |      |      |  |
|                                  | ENVIRONMENT : NO BURSTING/EROSIVE GAS OR VAPOR      |      |      |      |  |
| COLOR                            | MUNSELL N5.5 (GRAY)                                 |      |      |      |  |
| TERMINAL BOX                     | NO. OF LEAD WIRES : 6                               |      |      |      |  |
|                                  | SOURCE CONNECTION : LEAD WIRES                      |      |      |      |  |
| INSULATION RESISTANCE            | BY DC 500V MEGGER - ≥100MΩ                          |      |      |      |  |
| DIELECTRIC TEST                  | AC 50Hz 1800V - 1min. (Based on rated voltage 380V) |      |      |      |  |
| SHAFT SWING                      | ≤0.05mm   |      |      |      |  |
| MATERIAL                         | FRAME : CAST IRON                                   |      |      |      |  |
|                                  | BRACKET LOAD SIDE : CAST IRON (FLANGE)              |      |      |      |  |
|                                  | OPPOSITE SIDE : CAST IRON                           |      |      |      |  |
|                                  | SHAFT : CARBON STEEL                                |      |      |      |  |
|                                  | STATOR CORE : ELECTRICAL STEEL                      |      |      |      |  |
|                                  | WIRE : ENAMELLED COPPER MAGNET WIRE                 |      |      |      |  |
|                                  | INSULATOR : POLYESTER FILM SATURATED WITH RESIN     |      |      |      |  |
|                                  | VARNISH : EPOXY DENATURALIZATION POLYESTER          |      |      |      |  |
|                                  | ROTOR CORE : ELECTRICAL STEEL                       |      |      |      |  |
|                                  | CONDUCTOR : ALUMINIUM                               |      |      |      |  |
|                                  | TERMINAL BOX : STEEL PLATE                          |      |      |      |  |
|                                  | PAINTING : POLYURETHANE RESIN                       |      |      |      |  |
| PRODUCTION COUNTRY               | THAILAND  |      |      |      |  |

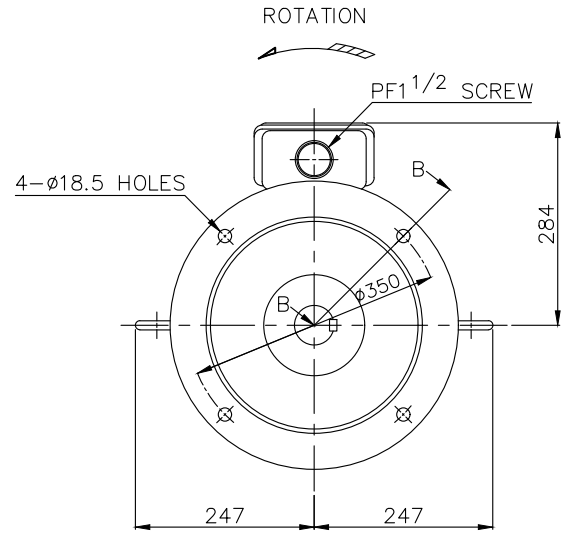
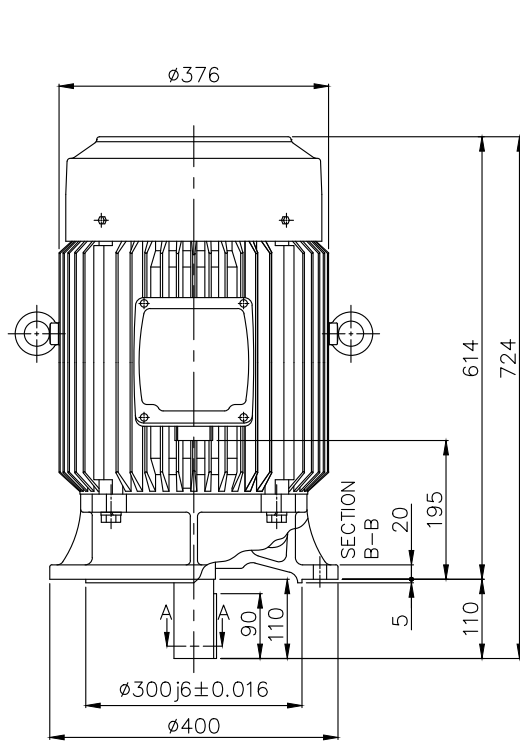
Specifications subject to change without notice.

|                                |  |  |  |  |
|--------------------------------|--|--|--|--|
| <b>SPECIFICATION SHEET NO.</b> |  |  |  |  |
| SS-M-3251-A                    |  |  |  |  |

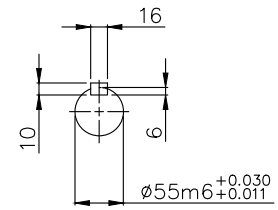
# MODEL SF-JV THREE PHASE INDUCTION MOTOR OUTLINE DRAWING

TOTALLY ENCLOSED FAN COOLED  
 DEGREES OF PROTECTION IP55  
 DUST & WATER JET PROOF

CUSTOMER \_\_\_\_\_  
 USER \_\_\_\_\_  
 FOR \_\_\_\_\_  
 CUSTOMER'S ORDER NO. \_\_\_\_\_  
 QUANTITY \_\_\_\_\_  
 MFG. ORDER NO. \_\_\_\_\_



BOTTOM VIEW OF SHAFT END

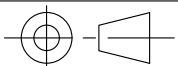


SECTION A-A

| YOUR ORDER | FRAME SIZE | RATING     | TH. CLASS | AMB. TEMP. | BEARINGS      |                | COLOR               | DIRECTION OF ROTATION (VIEWED FROM SHAFT END) | NO. OF LEAD WIRES | REMARKS |
|------------|------------|------------|-----------|------------|---------------|----------------|---------------------|---|-------------------|---------|
|            |            |            |           |            | LOAD SIDE     | OPP. SIDE      |                     |   |                   |         |
|            | 180L       | S1 (CONT.) | 155(F)    | 40°C       | 6312ZZC3 (2P) | 6312ZZ (4P,6P) | GRAY (MUNSELL N5.5) | CCW   | 6                 |         |

| YOUR ORDER | OUTPUT |      | POLES | VOLT        | HERTZ | REMARKS |
|------------|--------|------|-------|-------------|-------|---------|
|            | HP     | kW   |       |             |       |         |
|            | 40     | 30   | 2     | 220/380/415 | 50    | LT      |
|            |        |      |       | 220/440     | 60    |         |
|            | 40     | 30   | 4     | 220/380/415 | 50    | LT      |
|            |        |      |       | 220/440     | 60    |         |
|            | 25     | 18.5 | 6     | 220/380/415 | 50    | LT      |
|            |        |      |       | 220/440     | 60    |         |
|            | 30     | 22   | 6     | 220/380/415 | 50    | LT      |
|            |        |      |       | 220/440     | 60    |         |
|            | 40     | 30   | 2     | 380/415     | 50    | HT      |
|            |        |      |       | 380/440     | 60    |         |
|            | 40     | 30   | 4     | 380/415     | 50    | HT      |
|            |        |      |       | 380/440     | 60    |         |
|            | 25     | 18.5 | 6     | 380/415     | 50    | HT      |
|            |        |      |       | 380/440     | 60    |         |
|            | 30     | 22   | 6     | 380/415     | 50    | HT      |
|            |        |      |       | 380/440     | 60    |         |

mitsubishi electric automation (thailand) co., ltd.



DIMENSION IN mm.

SCALE : NTS

OUTLINE DRAWING NO.

0 M M 3 4 0 1 3 7

REV.

D